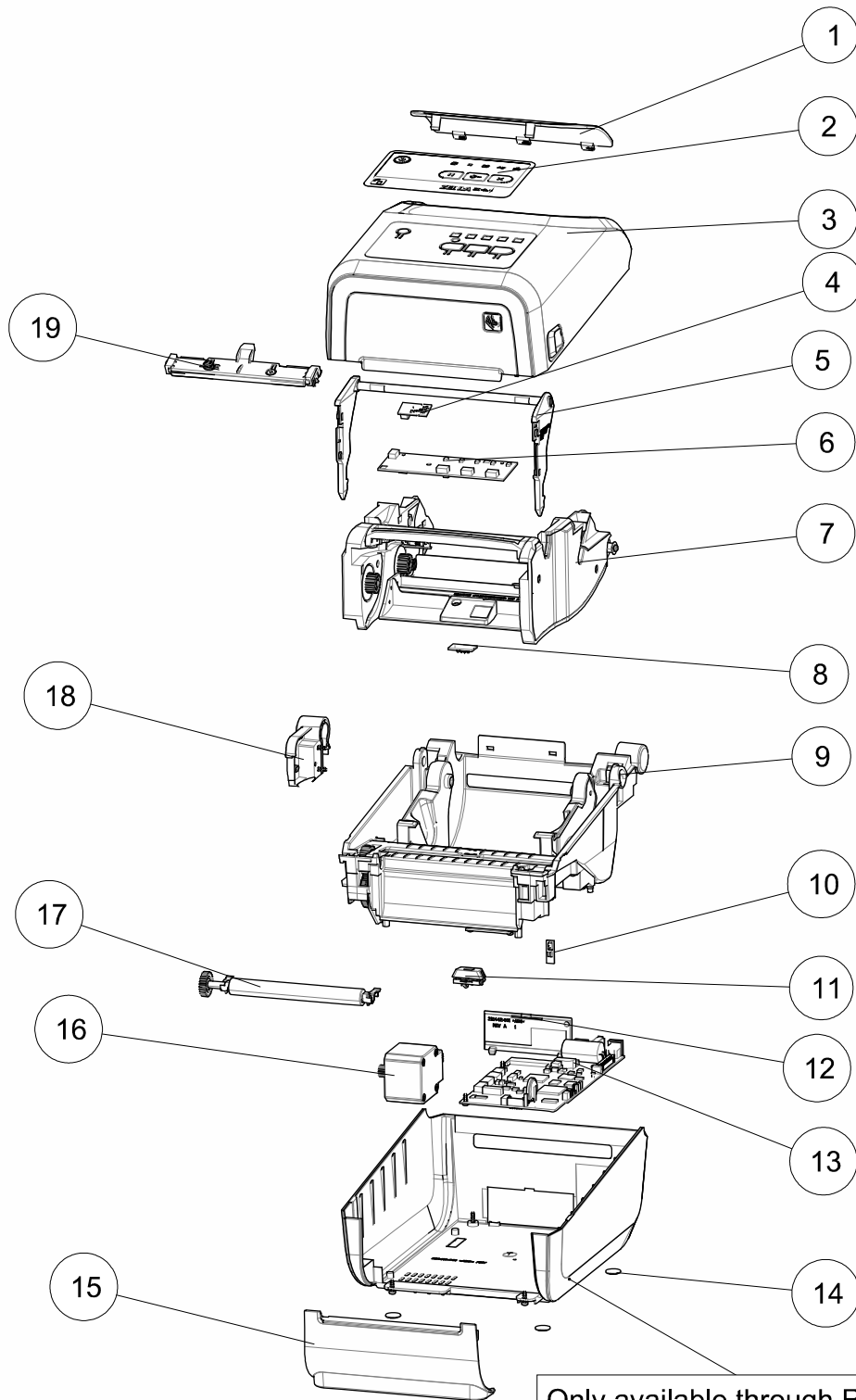


**ZD420 Cartridge (203 & 300 DPI)**



Only available through Repair Depot

## Spare Parts List Desktop Printers

### ZD420 Cartridge (203 & 300 DPI)

Item	Description	Part Number
1	Media Window	P1080383-003
2	Nameplate ZD420	P1080383-008
3	Cover Assembly (includes Media Window), for <b>Standard Models</b> Cover Assembly (includes Media Window), for <b>Health Care Models</b>	P1080383-002 P1080383-032
4	Ribbon Sensor	P1080383-014
5	Latch Assembly	P1080383-024
6	Control Panel	P1080383-029
7	Ribbon Carriage	P1080383-017
8	Upper Media Sensor	P1080383-013
9	Print Mechanism	P1080383-004
10	Cover Open Sensor	P1080383-011
11	Lower Media Sensor	P1080383-012
12	Rear Option Port Cover, Serial, Ethernet, Standard (includes 1 of ea.)	P1080383-020
13	MLB, Standard, Interface M,USB/USB Host, Bluetooth LE MLB, Interface, Ethernet, USB/USB Host, Bluetooth LE MLB, Interface W, 802.11ac, Bluetooth 4.0,USB/USB HOST	P1080383-005 P1080383-025 P1080383-026
14	Rubber Foot (set of 4)	P1080383-021
15	Front Bezel, Standard	P1080383-019
16	Motor Assy (for both 203dpi and 300dpi models)	P1080383-015
17	Platen Roller 203dpi Platen Roller 300dpi Platen Bearings, L& R (set of 10 ea.)	P1080383-010 P1080383-016 P1079903-014
18	Cover Hinge	P1080383-023
19	Printhead, 203dpi Printhead, 300dpi	P1080383-001 P1080383-007
Not Shown	Cutter, 4", Full	P1080383-009
	Dispenser, Front Bezel	P1080383-018
	Media Core Adaptors, 1.5', 2", 3" (set of 1 ea.)	P1080383-022
	Ethernet Module	P1080383-033
	Serial Module	P1080383-034
	Convert to 300dpi	P1080383-035
	Convert to 203dpi	P1080383-036
	Base Housing for Battery (When upgrading to battery power functionality, also order the P1080383-603 battery)	P1080383-600
	Battery for Desktop Printers (When upgrading to battery power functionality, also order the P1080383-600 battery housing)	P1080383-603
	Adapter bracket enables mounting a ZD420C in the same location as an existing GK/GX Thermal Transfer is mounted. Allows usage of the GK/GX TT hole pattern.	P1080383-037
	Shipping Pack (Packaging for shipping the printer)	P1080383-027
	Power Supply, 75W with US Cord, for <b>Standard Models</b>	P1079903-026
	Power Supply, 75W with US Cord, for <b>Health Care Models</b>	P1079903-030
	Power Cord, US, 120V IEC320C13 (set of 5)	105950-014
	Power Cord, EU, 220V, IEC320C13 (set of 5)	105950-015
	Power Cord, UK, 220V, IEC320C13 (set of 5)	105950-030
	Power Cord, Australia, 250V, IEC320C13 (set of 5)	105950-029
	Power Cord, China, 220V, IEC320C13 (set of 5)	105950-078
	Power Cord, Japan, 125V, IEC320C13 (set of 5)	105950-079
	Power Cord, Argentina, 220V, IEC320C13 (set of 5)	105950-080
	Power Cord, Brazil, 10A NBR 14136 (set of 5)	P1033401
	Power Cord, Israel, 10A, IEC320C13 (set of 5)	P1061022-020
	Power Cord, India, 10A, IS 1293, C13 (set of 5)	P1080829
Power Cord, Taiwan, 125V, IEC320C13 (set of 5)	P1079903-035	