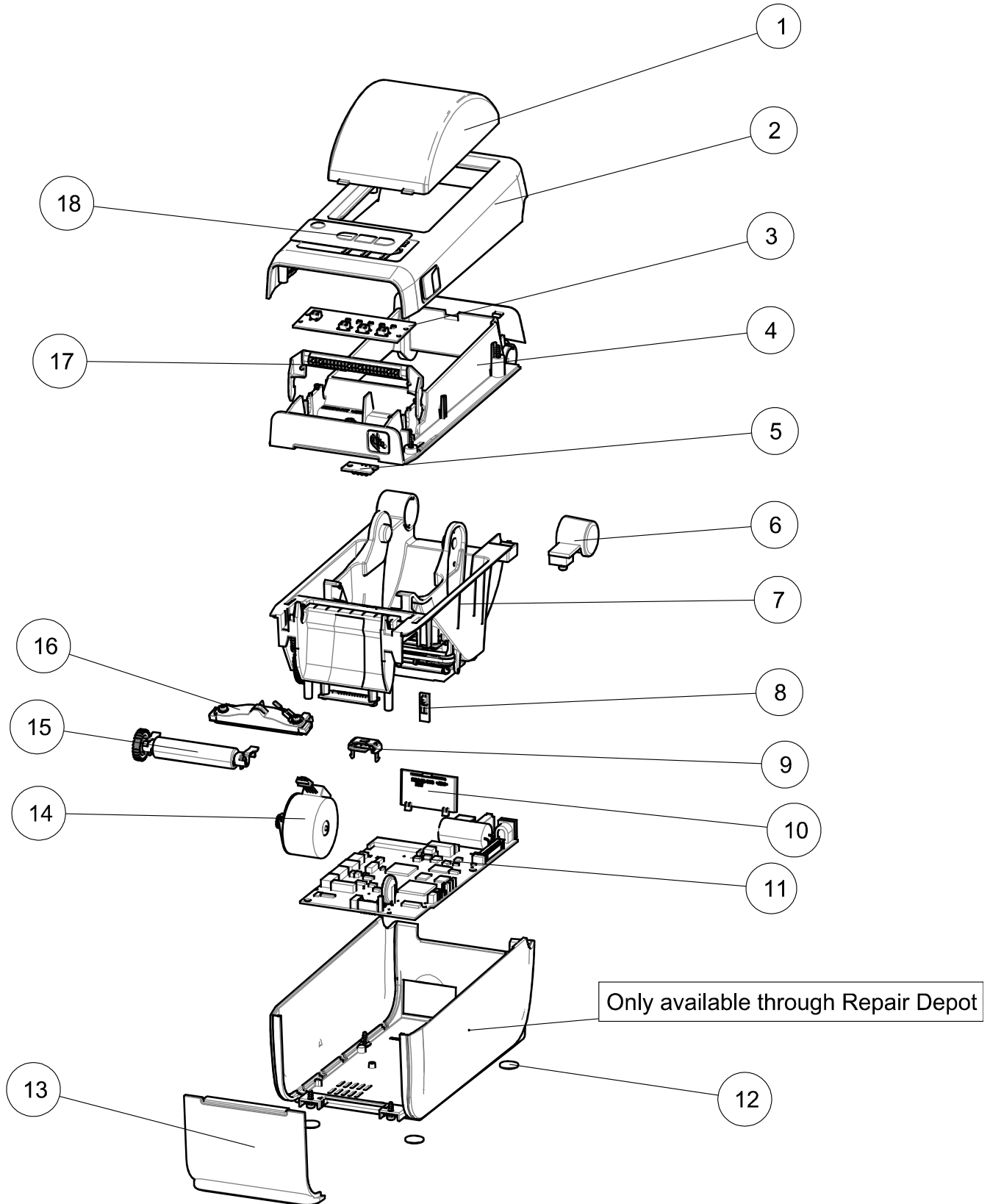


ZD410 (203 & 300 DPI)



Spare Parts List Desktop Printers

ZD410 (203 & 300 DPI)

Item	Description	Part Number
1	Media Window	P1079903-002
2	Cover Assembly (includes Media Window), for Standard Models Cover Assembly (includes Media Window), for Health Care Models	P1079903-001 P1079903-036
3	Control Panel	P1079903-015
4	Inner Lid w/o Printhead	P1079903-017
5	Upper Gap Sensor	P1079903-013
6	Cover Hinge	P1079903-016
7	Print Mech., 203 DPI Print Mech., 300 DPI	P1079903-018 P1079903-019
8	Head Up Sensor	P1080383-011
9	Blackline Sensor	P1079903-012
10	Rear Bezel, Serial, Ethernet, Standard (includes 1 of ea.)	P1079903-004
11	Main Logic Board, USB, USB Host Main Logic Board, USB, USB Host, Bluetooth LE Main Logic Board, USB, USB Host, Bluetooth LE, Ethernet Main Logic Board, USB, USB Host, Bluetooth 4.0, WiFi 802.11ac	P1079903-039 P1079903-007 P1079903-008 P1079903-009
12	Rubber Foot (set of 4)	P1080383-021
13	Front Bezel, Standard	P1079903-020
14	Motor Assy., 203dpi Motor Assy., 300dpi	P1079903-005 P1079903-006
15	Platen Roller Platen Bearings, L& R (set of 10 ea.)	P1079903-003 P1079903-014
16	Printhead, 203dpi Printhead, 300dpi	P1079903-010 P1079903-011
17	Latch Assembly	P1079903-031
18	Nameplate ZD410	P1079903-023
Not Shown	Upgrade Kit - Cutter, 2", Full	P1079903-021
	Dispenser, Front Bezel	P1079903-022
	Media Core Adaptors, 1.5", 2", 3" (set of 1 ea.)	P1079903-033
	Ethernet Module	P1079903-032
	Serial Module	P1079903-034
	Base Housing for Battery Functionality (When upgrading to battery power functionality, also order the P1080383-603 battery)	P1080383-602
	Battery for Desktop Printers (When upgrading to battery power functionality, also order the P1080383-602 battery housing)	P1080383-603
	Adapter bracket to enable mounting a ZD410 in the same location as an existing LP2824 Plus is mounted. Allows usage of the LP2824 Plus mounting hole pattern.	P1079903-037
	Shipping Pack (Packaging for shipping the printer)	P1079903-024
	Power Supply, 75W, 24V with US Cord, for Standard Models	P1079903-026
	Power Supply, 75W, 24V with US Cord, for Health Care Models	P1079903-030
	Power Cord, US, 120V IEC320C13 (set of 5)	105950-014
	Power Cord, EU, 220V, IEC320C13 (set of 5)	105950-015
	Power Cord, UK, 220V, IEC320C13 (set of 5)	105950-030
	Power Cord, Australia, 250V, IEC320C13 (set of 5)	105950-029
	Power Cord, China, 220V, IEC320C13 (set of 5)	105950-078
	Power Cord, Japan, 125V, IEC320C13 (set of 5)	105950-079
	Power Cord, Argentina, 220V, IEC320C13 (set of 5)	105950-080
	Power Cord, Brazil, 10A NBR 14136 (set of 5)	P1033401
	Power Cord, Israel, 10A, IEC320C13 (set of 5)	P1061022-020
Power Cord, India, 10A, IS 1293, C13 (set of 5)	P1080829	
Power Cord, Taiwan, 125V, IEC320C13 (set of 5)	P1079903-035	