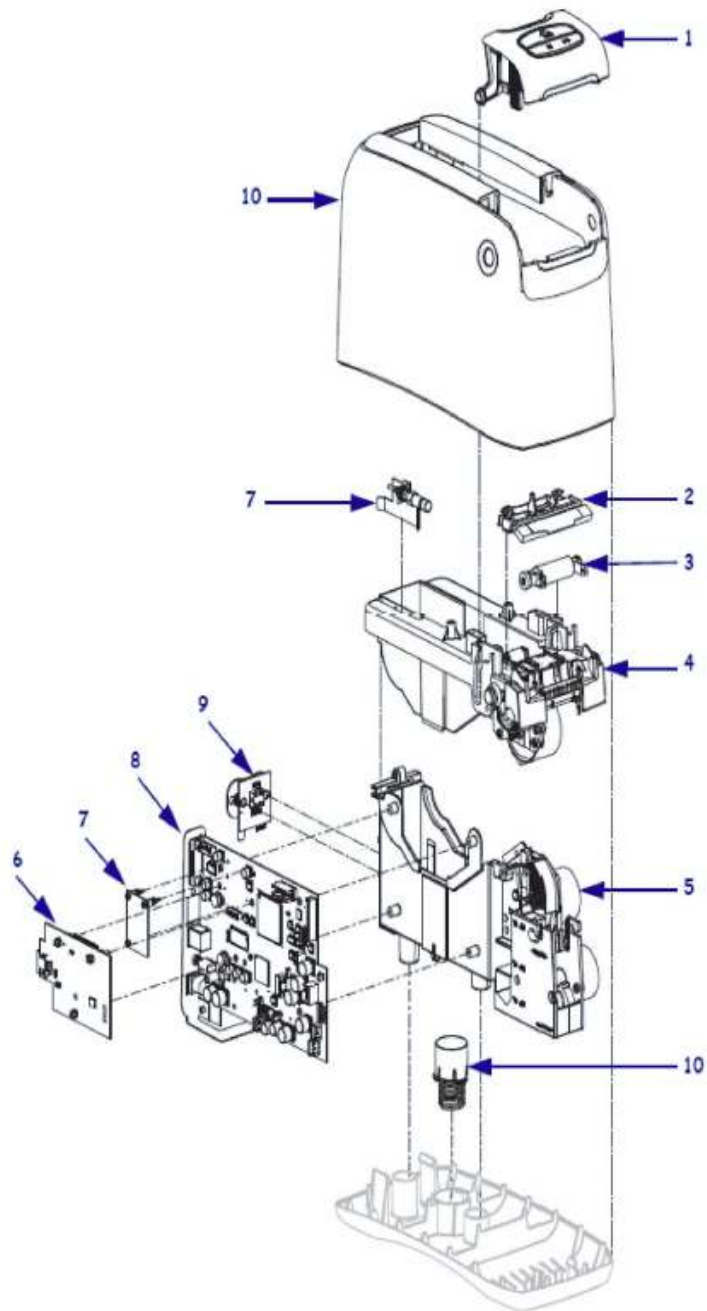


HC100



Spare Parts List Desktop Printers

HC100

Item #	Description	Part Number
1	Upper Print Mechanism Cover	61340M
2	Printhead Assembly	61330M
3	Platen Roller	61331M
4	Print Mechanism Chassis	61341M
5	Main Frame Assembly	61342M
6	ZebraNet 10/100 Internal Print Server	61338M
7	Wireless Plus 802.11 b/g Radio	P1051273-001
8	Main Logic Board 8 MB	61335M
	Main Logic Board 64 MB	61336M
9	Smart Card Reader with Cable	61339M
10	Outer Enclosure and Trim	61343M
Not Shown	Packaging to ship the printer	P1007957
	Cleaning Cards (Qty of 10)	61332M
	Power Supply, 24V 70W without a power cord	61345M
	Power Supply, 24V 70W with US cord	P1067988-021
	Power Supply, 24V 70W with UK & Euro cords	P1067988-022
	Power Supply, 24V 70W with Australia cord	P1086845-003
	Power Supply, 24V 70W with Taiwan cord	P1086845-004
	Power Supply, 24V 70W with Japan cord	P1086845-005
	Power Supply, 24V 70W with China cord	P1086845-006